

**BARNHARDT-EWERS ESTATE**  
 3217 MAYMONT PLACE  
 CHARLOTTE, NC

Project: GH\_CRAMERSPOND\_LOT17  
 Date: 2/24/20  
 Revisions:

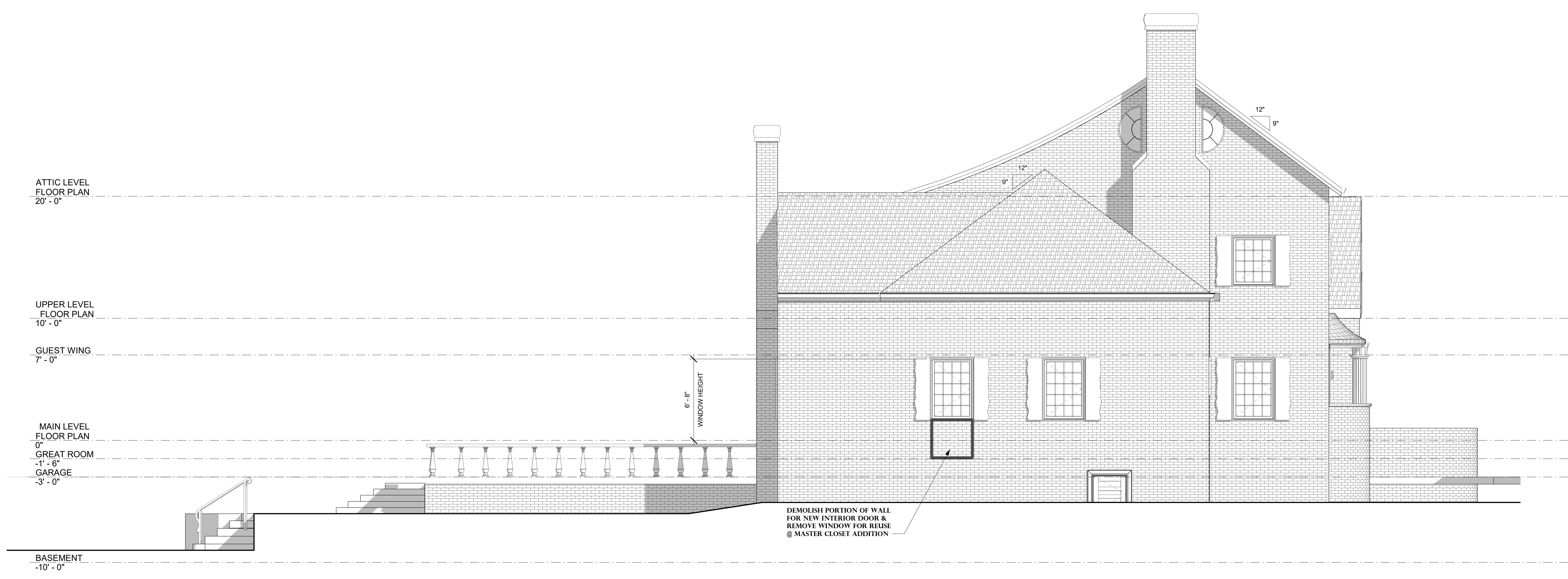
TAG	DESCRIPTION	DATE

Mermans Architecture & Design, p.l.l.c. © copyright 2020  
 Bryan Mermans  
 AIA, No. 52981  
 704.604.8517  
 bryan@marchd.com  
 www.MArchD.com

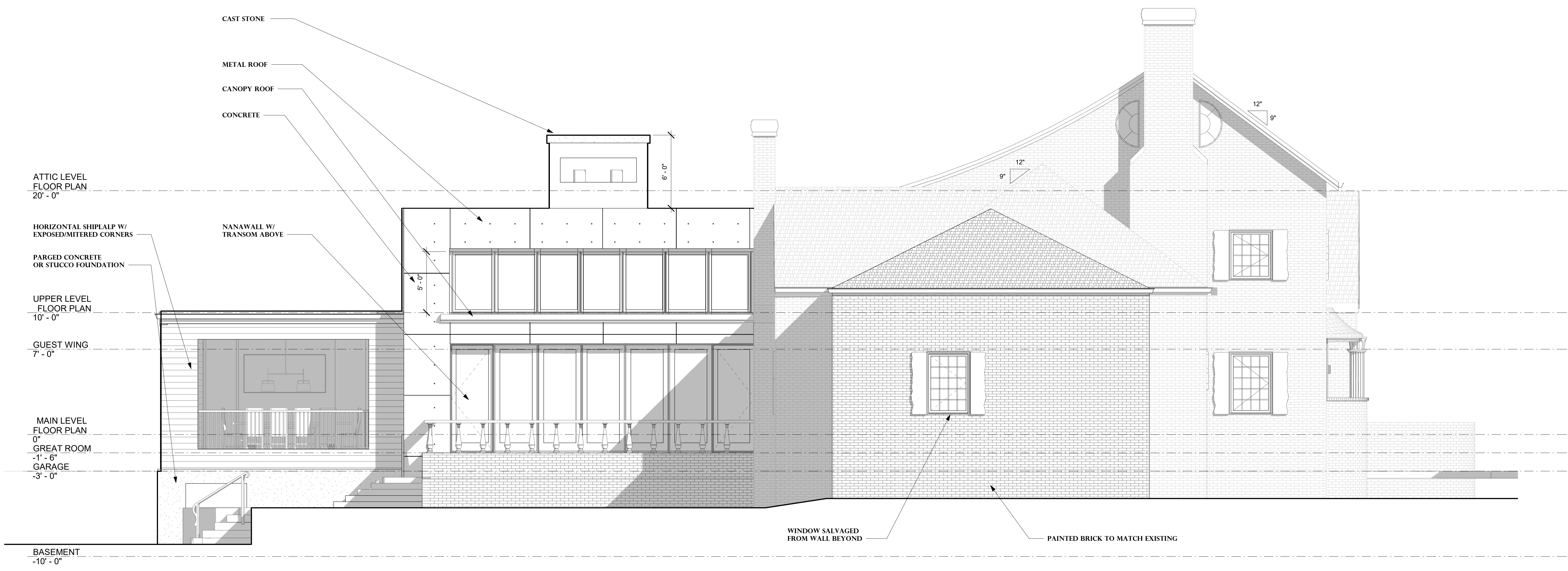
**EXTERIOR ELEVATIONS**

**PERMIT SET  
 "FOR CONSTRUCTION"**

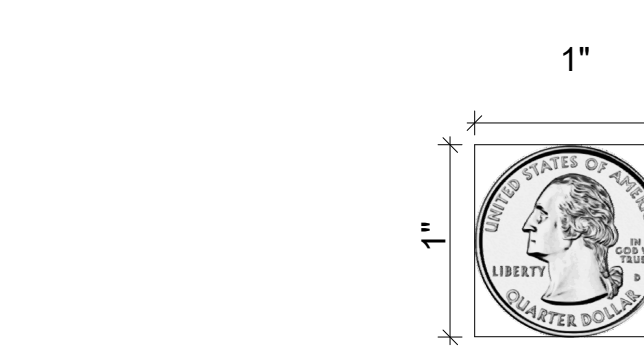
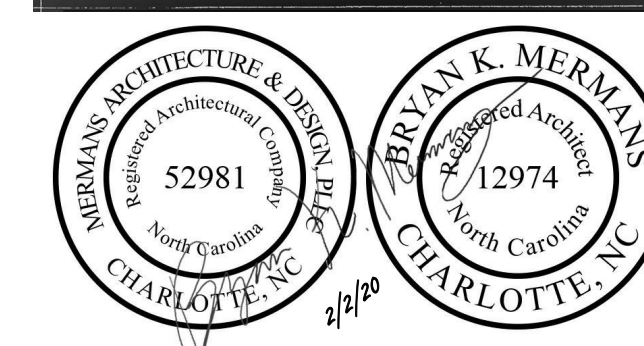
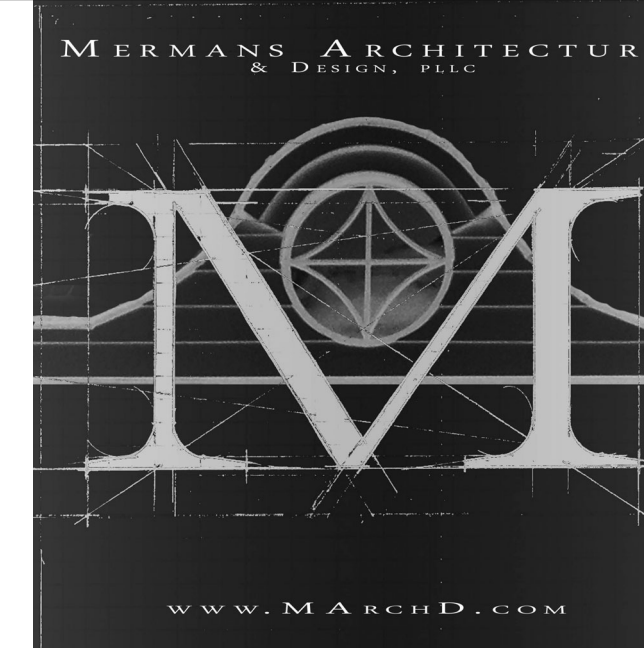
**A2.01**



1 LEFT ELEVATION - EXISTING/DEMOLITION  
 1/4" = 1'-0"



2 LEFT ELEVATION - PROPOSED  
 1/4" = 1'-0"



GRANDFATHER HOMES  
LASTING VALUE. TIMELESS TRADITION

**BARNHARDT-EWERS  
ESTATE**  
3217 MAYMONT PLACE  
CHARLOTTE, NC

Project: GH\_CRAMERSPOND\_LOT17  
Date: 2/24/20  
Revisions:

TAG	DESCRIPTION	DATE
-----	-------------	------

Mermans Architecture & Design, PLLC © copyright 2020  
Bryan Mermans  
A.S.C.H. I.D.S.  
704.604.8517  
bryan@marchd.com  
www.MArchD.com

**EXTERIOR  
ELEVATIONS**

**PERMIT SET  
"FOR  
CONSTRUCTION"**

**A2.02**

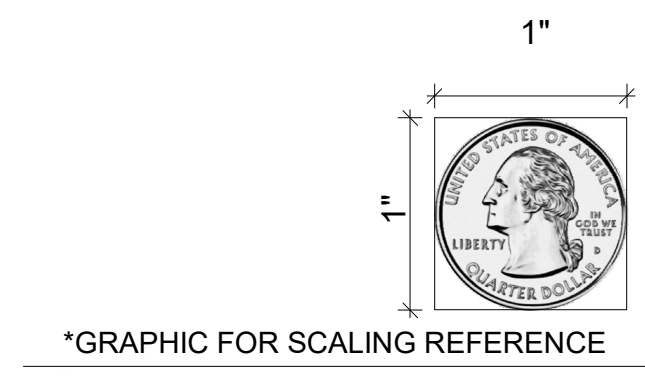
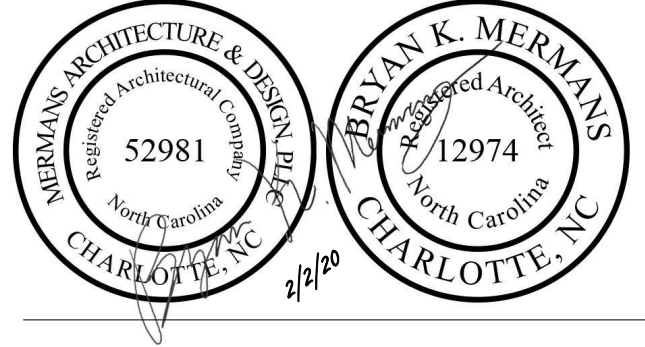
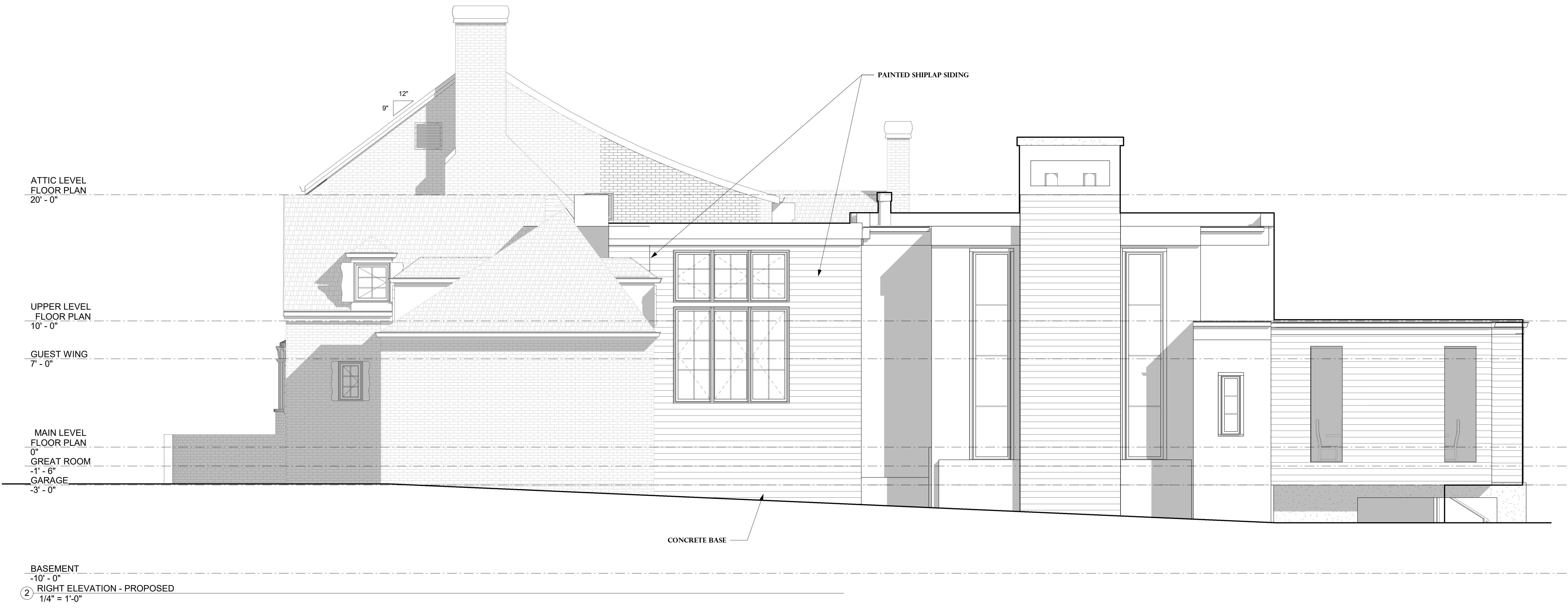
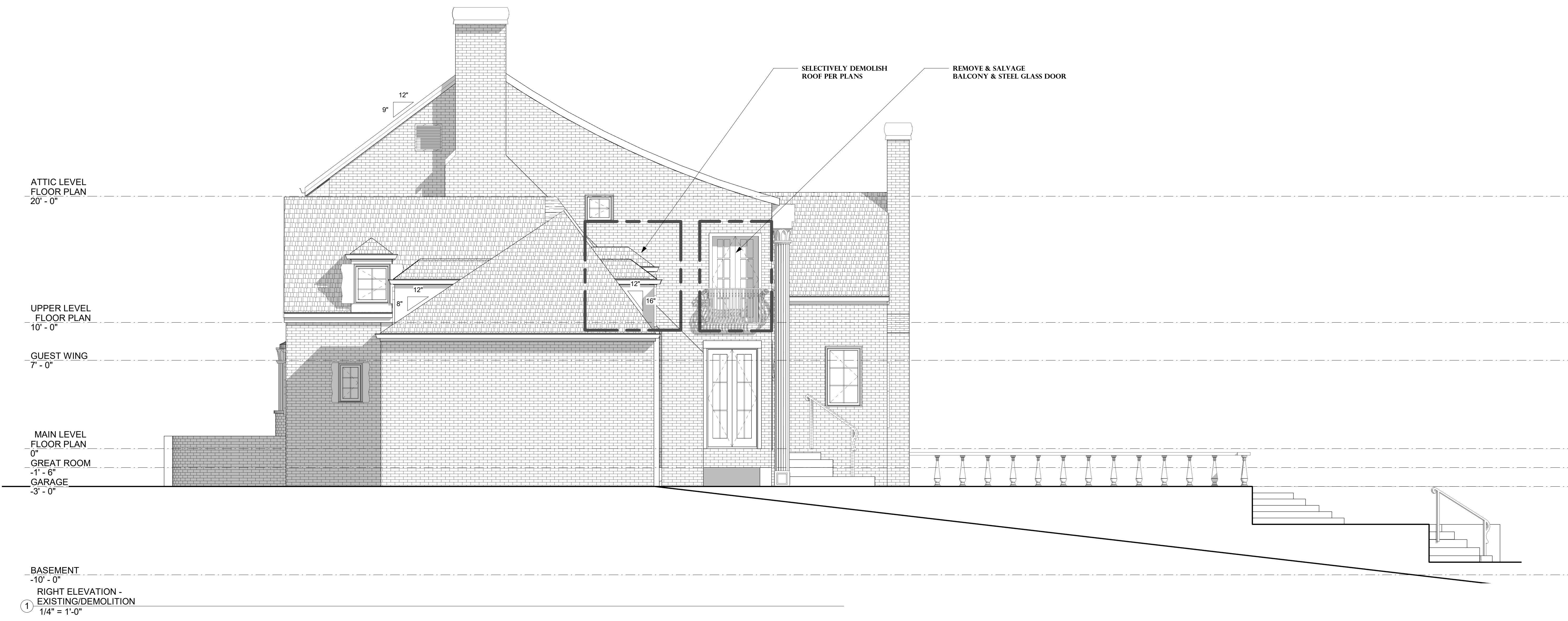


1 REAR ELEVATION - EXISTING/DEMOLITION  
1/4" = 1'-0"



2 REAR ELEVATION - PROPOSED  
1/4" = 1'-0"





**BARNHARDT-EWERS ESTATE**  
3217 MAYMONT PLACE  
CHARLOTTE, NC

Project: GH\_CRAMERSPOND\_LOT17  
Date: 2/24/20  
Revisions:

TAG	DESCRIPTION	DATE

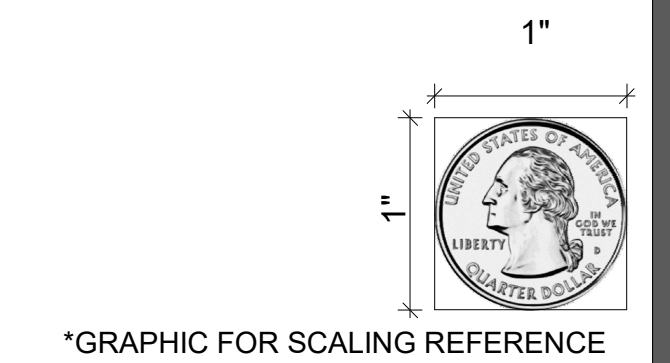
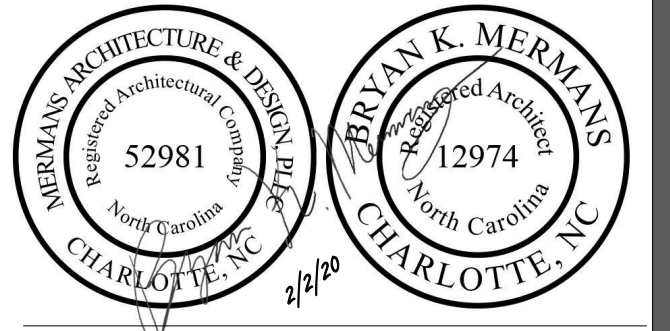
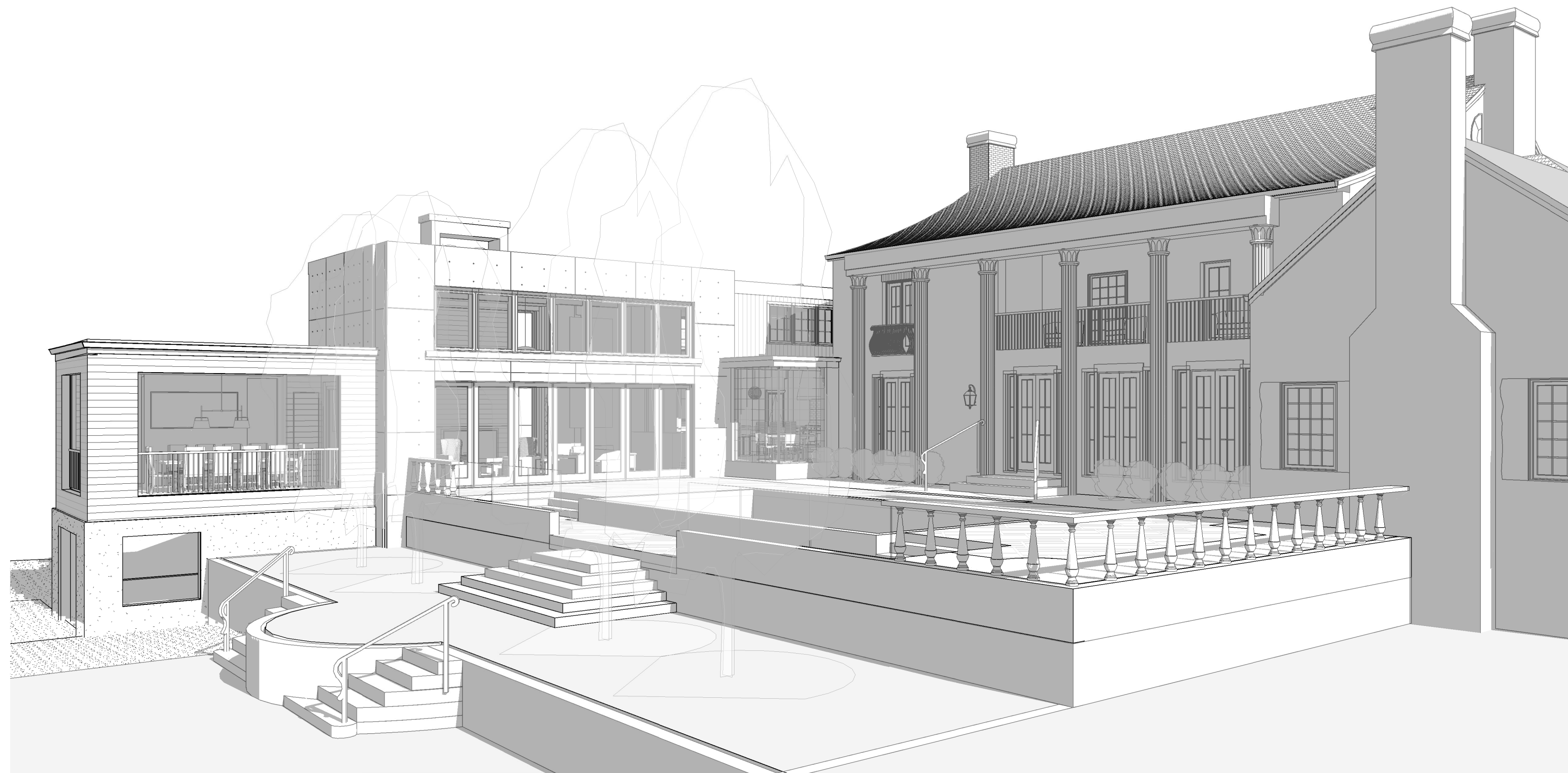
Mermans Architecture & Design, PLLC © copyright 2020  
Bryan Mermans  
A.S.C.H. I.C.E.  
704.604.8517  
bryan@marchd.com  
www.MArchD.com

**EXTERIOR ELEVATIONS**

**PERMIT SET "FOR CONSTRUCTION"**

**A2.03**





**BARNHARDT-EWERS  
ESTATE**  
3217 MAYMONT PLACE  
CHARLOTTE, NC

Project: GH\_CRAMERSPOND\_LOT17  
Date: 2/24/20  
Revisions:

TAG	DESCRIPTION	DATE
-----	-------------	------

Mermans Architecture & Design, p.l.l.c. © copyright 2020  
Bryan Mermans  
A.R.C.H.I.T.E.C.T.  
704.604.8517  
bryan@marchd.com  
www.MArchD.com

**3D VIEWS**

**PERMIT SET  
"FOR  
CONSTRUCTION"**

**G0.03**

\*ARTIST REPRESENTATIONS; ACTUAL CONSTRUCTION DETAILS MAY VARY